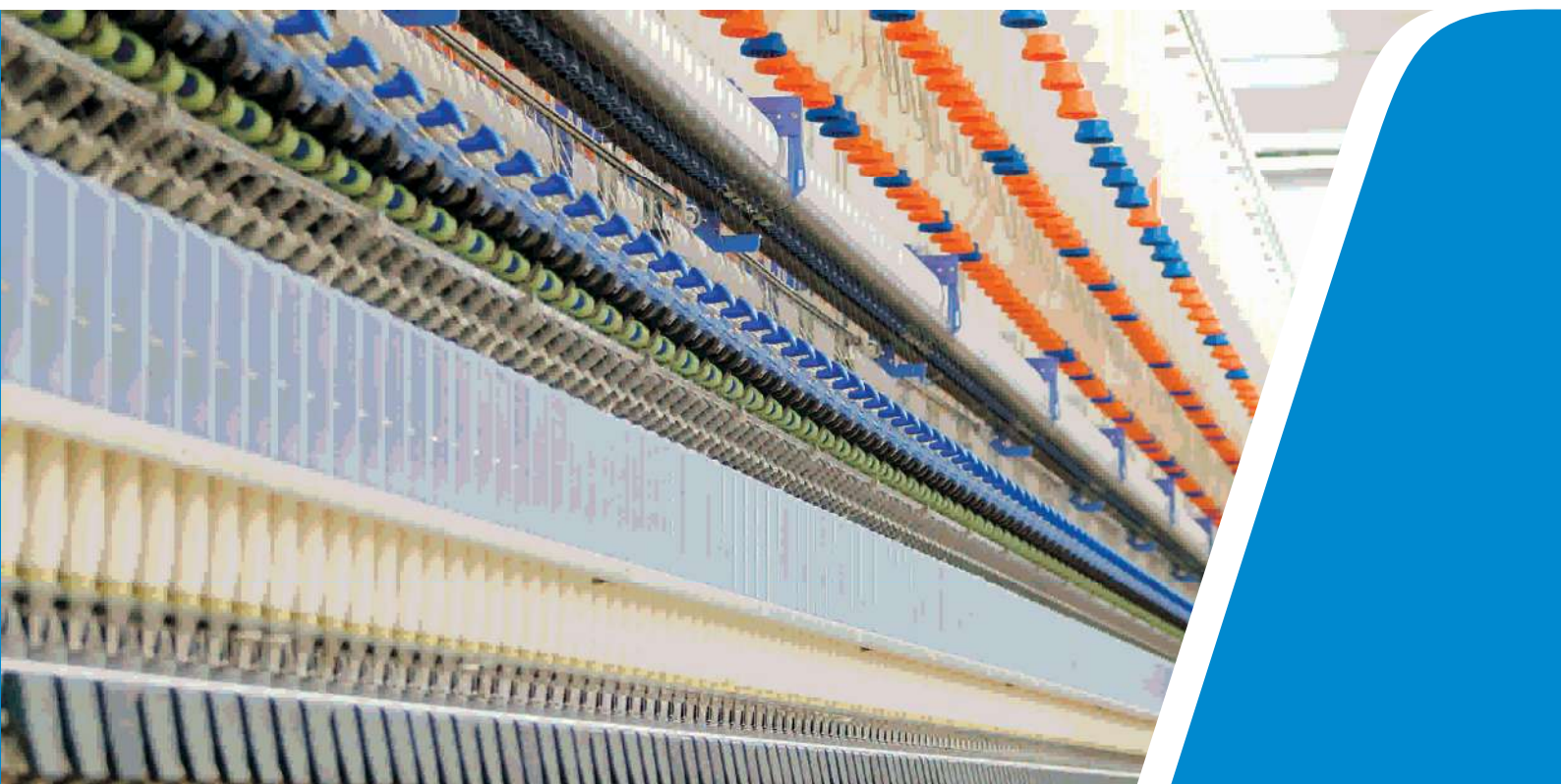


Goodrive10 inverters

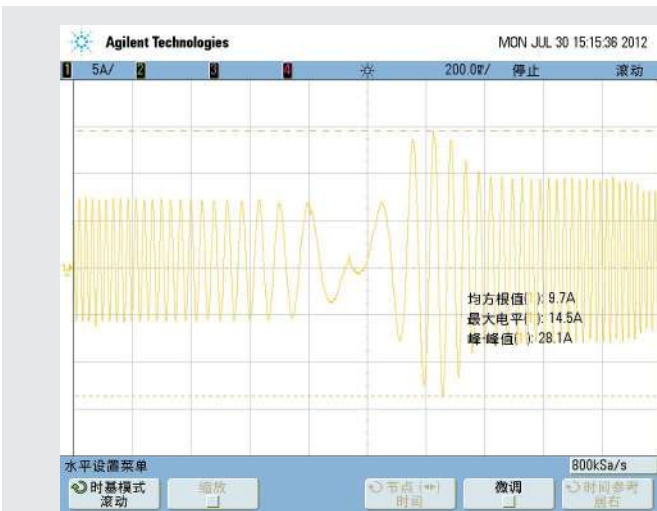


Brief introduction of Goodrive10 inverters

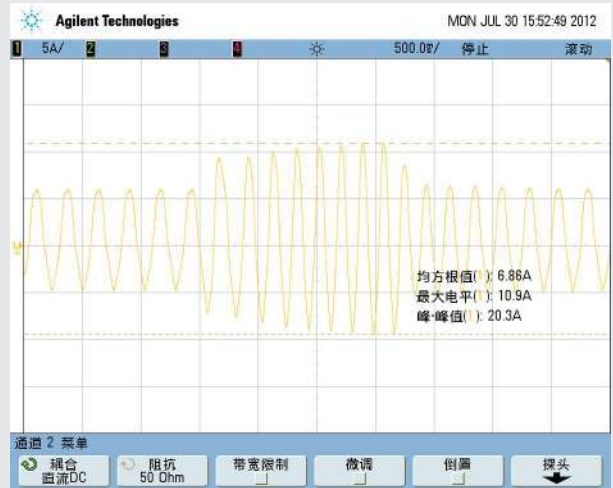
Goodrive10 Series mini-economy inverters are designed for the small-power OEM application market. With The function of vectorization V/f control and PID function, multi- step speed, DC braking and Modbus communication and so on, the inverter has more advantages but occupied less installation space.

Advantages

1. V/f control



FWD/REV current waveform with full load at 50Hz



Current waveform in sudden acceleration/deceleration at 0.5Hz

2. Natural cooling(for the applications with cotton and dust)



Remarks:

1. Natural cooling: single phase or three phase 230V 0.2-0.75kW.
2. Air forced cooling: single phase or three phase 230V 1.5-2.2kW, three phase 380V 0.75-2.2kW.

3. Mini structure, less installation space



GD100-2R2-4

GD10-2R2-4

4. Standard potentiometer and external LED keypad



Remarks:
Optional installation bracket is needed when install external keypad.

5. Follow IEC GB standards, and meet the testing requirements of CE certification



6. Various function setting

- (1) Standard Modbus communication
- (2) Built-in PID
- (3) 16 steps multi-step speed control
- (4) Flexible V/f curve setting
- (5) Multi-function I/O terminal (the delay time can be set)
- (6) Fault protection at overcurrent, overvoltage, undervoltage, overtemperature and overload with detailed fault information
- (7) DC braking, flux braking and resistor dynamic braking
- (8) Overcurrent and overvoltage stall, stronger load adaptability

Technical specifications

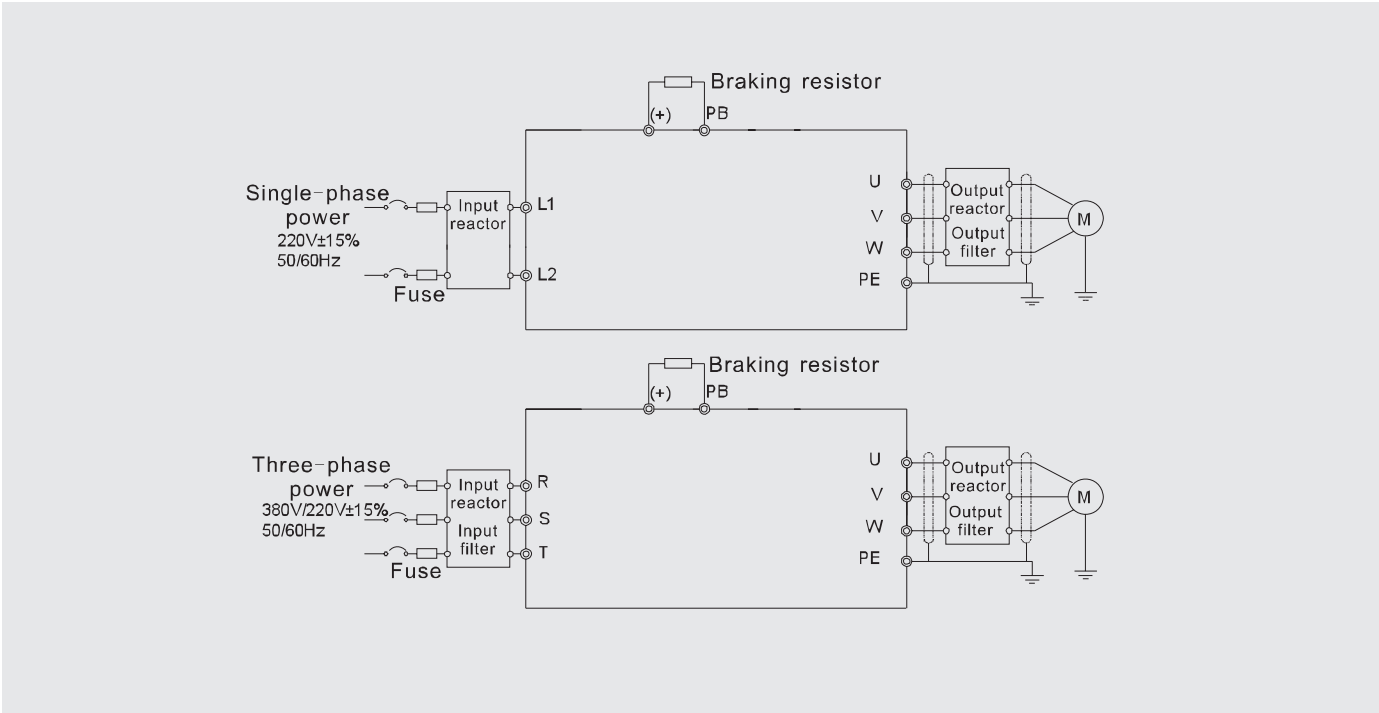
Function	Specification
Input voltage (V)	230V; input voltage range: single phase or three phase 230V 10%
	400V; input voltage range: three phase 400V 15%
Input frequency (Hz)	50Hz or 60Hz Allowed range: 47~63Hz
Output voltage (V)	Equal to input voltage with the deviation of less than 5%
Output frequency (Hz)	50Hz/60Hz, Fluctuation range: 5%
Control mode	V/f control
Maximum output frequency	200Hz
Adjustable-speed ratio	0.111111111
Overload capability	150% of rated current: 1 minute
Analog input resolution	≤20mV
Digital input resolution	≤2ms
Analog input/output	Input 1 0~10V or 0-20mA, output; 1 0~10V or 0~20mA
Digital input/output	5 Channels digital input, 1 Y terminal output and 1 programmable relay output
Communication	MODBUS
Mountable mode	Wall mountng
Temperature of the running environment	-10~50℃, derate above 40℃
Cooling	Single/three-phase 230V 0.2-0.75kW natural cooling
	Single/three-phase 230V 1.5-2.2kW, three-phase 400V 0.75-2.2kW
Fault protections	Overcurrent, overvoltage, undervoltage, overtemperature, overload and other protections
Braking unit	Only standard for GD10-B

Applications:

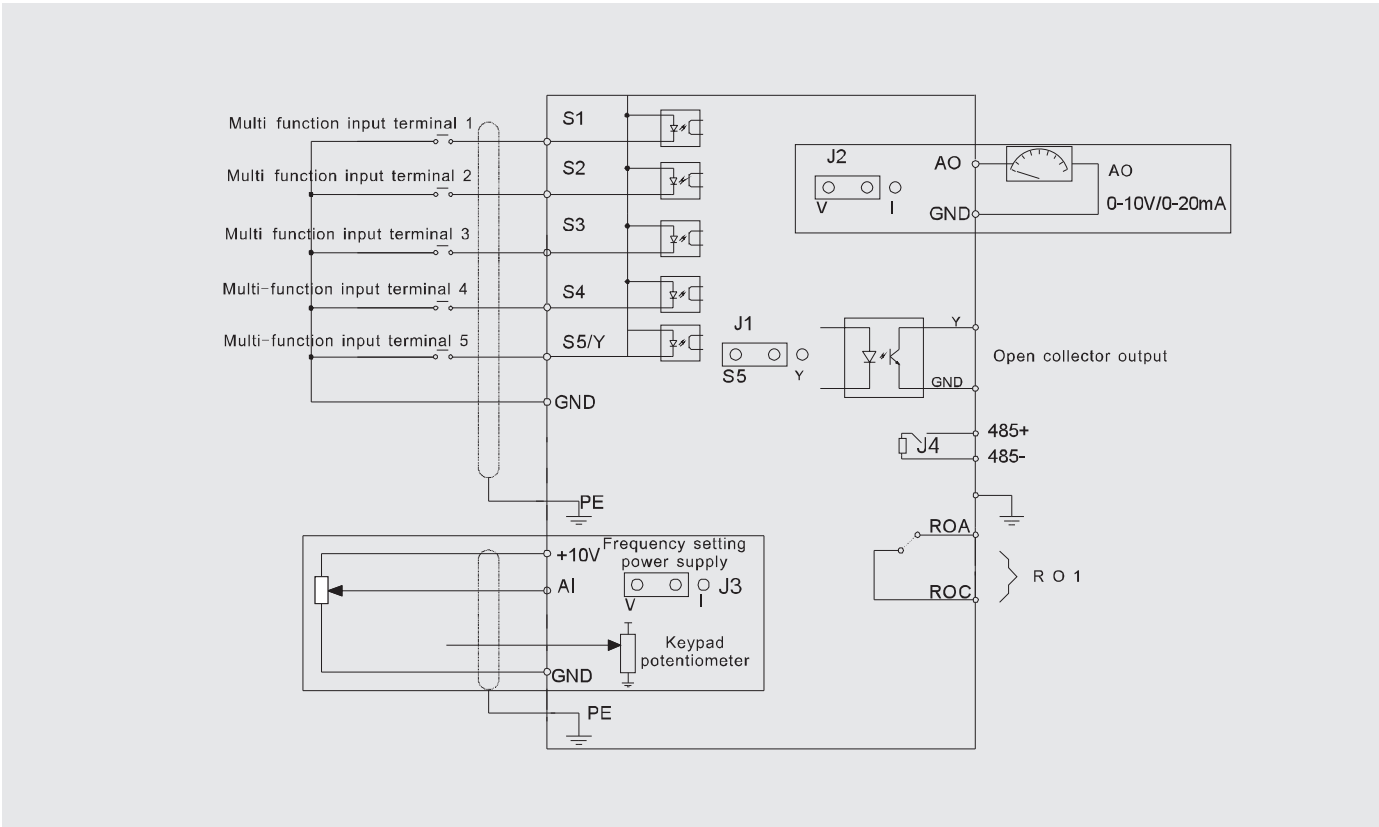
Packaging machinery, food machinery, textile machinery, centrifuge, engraving machine, and cutting machine, etc.

Standard wiring

Wiring diagram of main circuit



Wiring diagram of control circuit



Standard wiring

Wiring diagram of main circuit

GD10 - 2R2G - 4 - B

①

②

③

④

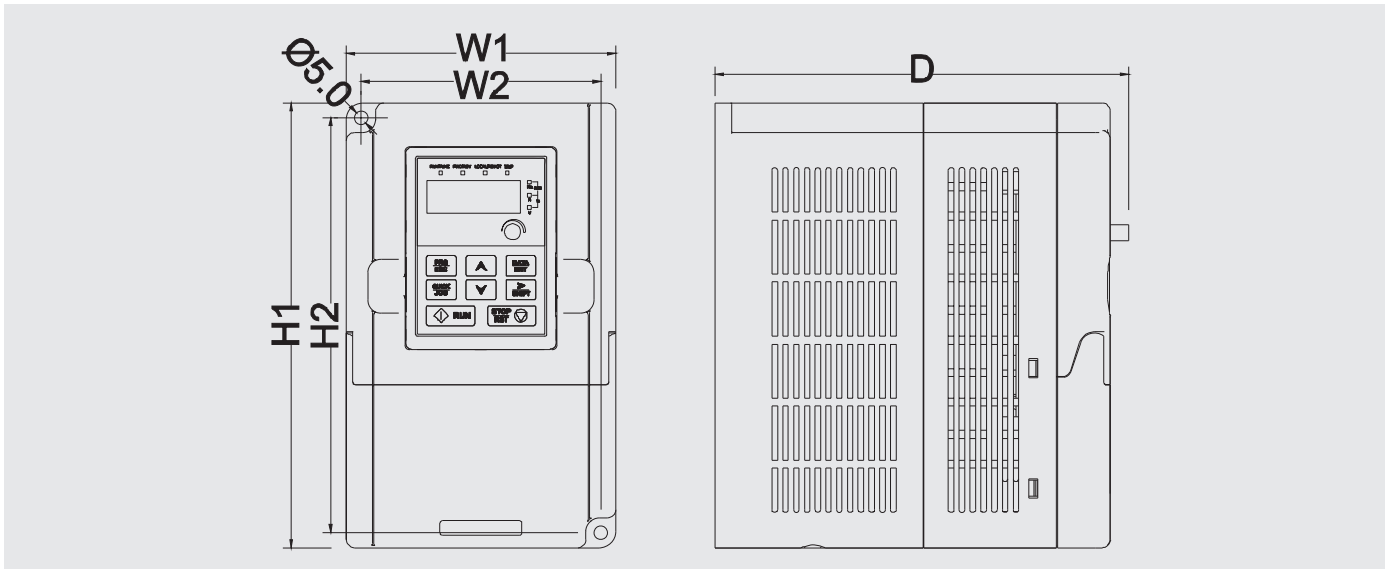
Field identification	Sign	Detailed description of the sign	Detailed content
Abbreviation	①	Product abbreviation	Goodrive10 is shorted for GD10
Rated power	②	Power range + Load type	2R2-2.2kW
			GC onstant torque load
Voltage degree	③	Voltage degree	4:three-phase 400V
			2: three-phase 230V
			S2: single-phase 230V
Lot No.	④	Lot No.	Default: No braking unit
			B: Built-in braking unit

Rated specifications

Model		Output power(kW)	Input current(A)	Output current (A)
Single-phase 230V	GD10-0R2G-S2-B	0.2	4.9	1.6
	GD10-0R4G-S2-B	0.4	6.5	2.5
	GD10-0R7G-S2-B	0.75	9.3	4.2
	GD10-1R5G-S2-B	1.5	15.7	7.5
	GD10-2R2G-S2-B	2.2	24	11
Three-phase 230V	GD10-0R2G-2-B	0.2	1.9	1.6
	GD10-0R4G-2-B	0.4	2.7	2.5
	GD10-0R7G-2-B	0.75	4.9	4.2
	GD10-1R5G-2-B	1.5	9	7.5
	GD10-2R2G-2-B	2.2	15	11
Three-phase 400V	GD10-0R7G-4-B	0.75	3.2	2.5
	GD10-1R5G-4-B	1.5	4.3	4.2
	GD10-2R2G-4-B	2.2	7.1	5.5

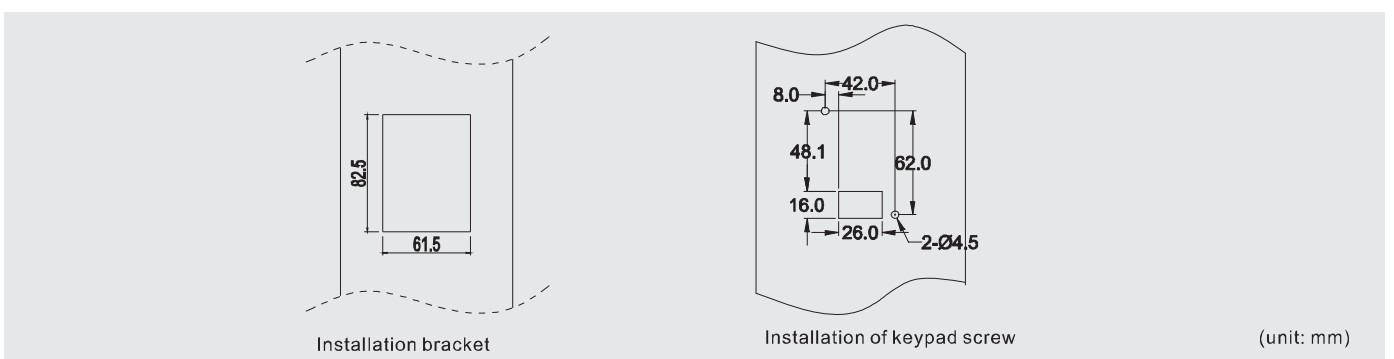
Installation dimension

1. Inverter dimensions



Model		W1 (mm)	W2 (mm)	H1 (mm)	H2 (mm)	D (mm)
Single-phase 230V	GD10-0R2G-S2-B	85	74	140	131.5	134.2
	GD10-0R4G-S2-B					
	GD10-0R7G-S2-B	85	74	140	131.5	
	GD10-1R5G-S2-B	100	89	165	154	153.2
	GD10-2R2G-S2-B					
Three-phase 230V	GD10-0R2G-2-B	85	74	140	131.5	134.2
	GD10-0R4G-2-B					
	GD10-0R7G-2-B	85	74	140	131.5	
	GD10-1R5G-2-B	100	89	165	154	153.2
	GD10-2R2G-2-B					
Three-phase 400V	GD10-0R7G-4-B	100	89	165	154	153.2

2. External keypad installation



Installation bracket

Installation of keypad screw

(unit: mm)